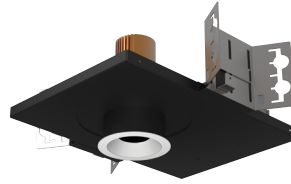


2" acrobat LED Downlight

Non-IC New Construction Housing

Round or Square / Trimmed or Trimless



Wattage	CCT	Delivered Lumens	Efficacy
10W	3000K	795lm	79lpw
15W	3000K	1184lm	79lpw
20W	3000K	1406lm	70lpw

Lumens will vary depending on CCT & optic

Description

- Acrobat downlight delivers over 1400lm through a 2" aperture with four optical distributions. Delivered lumens are maintained in different ceiling thicknesses.
- No ceiling access required except for certain specified driver configurations.

Field Replaceable LED Light Engine

- 10W, 15W or 20W LED with 2 SDCM binning
- 2700K, 3000K, 3500K or 4000K at 90 CRI
- Field replaceable optics available in spot, narrow flood, flood or wide flood
- 50,000 hours at 70% lumen maintenance (L70)

Field Replaceable Dimming Driver

- Power factor > 0.9, 50/60Hz
- Multiple dimming drivers available
- Complies with IEEE62.41 surge protection

Housing

Non-IC rated housing must be kept a minimum of 3" from insulation. 18 gauge galvanized steel housing and junction box with 1/2" trade size knockouts. Includes universal butterfly brackets to accommodate C-Channel, adjustable bar hangers, and EMT. C-Channel is recommended for T-bar ceilings and must be ordered separately. Adjustable wood joist bar hangers are included. Max. ambient temperature: 104°F (40°C)

Ceiling Thickness

- Accommodates ceiling thickness from 1/2" to 1-1/2" (Extended 2" collar available, must specify)
- Delivered lumens are maintained through entire range

Trim Style

- Round spun aluminum trim with anodized finishes, consult factory for custom finishes
- Square die-cast aluminum trim with powder coat finishes, consult factory for custom finishes
- Trimless mud plate and wood ceiling option available

Accessories

Accommodates (2) accessories, a media holder is required. Accessories are not compatible when used with lensed trim.

Emergency

Remote inverter operates for 90 minutes with remote test switch available, requires above ceiling access.

Listing/Warranty

- Patent pending
- Five (5) year limited warranty
- UL listed to US and Canadian standards for damp locations
- UL listed to US and Canadian standards for wet locations when used with lens



Housing Order Matrix (Example: A2-NC20S-R00-LCB-24)

Type	Wattage	Driver	Aperture	Trim Style	Rev	Extended Collar	Hanger Bar
A2-NC (Non-IC)	10 (10W)	S ^{2,3} (ERP, Universal Dim, Triac/ELV/0-10V 1% 120-277V)	-R (Round)	(blank) (Flanged)	00	(blank) (Standard 1-1/2") -2 (Up to 2")	(blank) (Standard)
	15 (15W)	L3 ¹ (Lutron Hi-lume® Fade-to-Black 1% 120-277V)	-S (Square)	TL (Trimless)			-LCB-24 (24" C-Channel)
	20 (20W)	EL1 ¹ (eldoLED DALI 1% 120-277V) EL2 ¹ (eldoLED 0-10V 1% 120-277V) DMX ¹ (DMX 1% 120-277V) SR1 ³ (Remote ERP, Universal Dim, Triac/ELV/0-10V 1% 120-277V)	WC (Wood Ceiling)	-LCB-48 (48" C-Channel)			

1. Above ceiling access requires
2. Accessible from below ceiling
3. Forward and reverse phase dimming at 120V only

Trim Order Matrix (Example: A2-1RWH-WH2730-NL-00)

Trim	Aperture	Reflector Finish	Flange Finish	CCT / CRI	Optic	Lens Type	Rev
A2-1	R (Round) S (Square)	WH (White)	(blank) (Trimless / Wood Ceiling)	27 (2700K / 90 CRI)	10 (Spot)	-NL (No Lens - damp location)	-00
		CA ² (Clear Alzak)	-WH (White)	30 (3000K / 90 CRI)	30 (Narrow Flood)	-FR (Frosted - wet location)	
		BL (Black)	-BL (Black)	35 (3500K / 90 CRI)	50 (Flood)	-MP (Solite - wet location)	
		SA (Satin Aluminum)	-SA (Satin Aluminum)	40 (4000K / 90 CRI)	80 (Wide Flood)	-CL (Clear - wet location)	
		BZ (Bronze)	-BZ (Bronze)				

2. Available in round aperture only

Accessories (Note: Media holder required)

A2-MHLDR (Media Holder- required)
A2-HEX (Hex Louver)
A2-FR (Frosted Lens)
A2-MP (Solite Lens)
A2-CL (Clear Lens)
A2-LS (Linear Spread Lens)

Optics

A2-10-OPTIC (10° Spot)
A2-30-OPTIC (30° Narrow Flood)
A2-50-OPTIC (50° Flood)
A2-80-OPTIC (80° Wide Flood)

Emergency

EM-1000 (25W LED Remote Inverter)
EM-1002 (10W LED Remote Emergency Driver)
EM-1003 (35W LED Remote Inverter)
EM-1004 (50W LED Remote Inverter)

2" acrobat LED Downlight
Non-IC New Construction Housing
 Round or Square / Trimmed or Trimless

Catalog #:

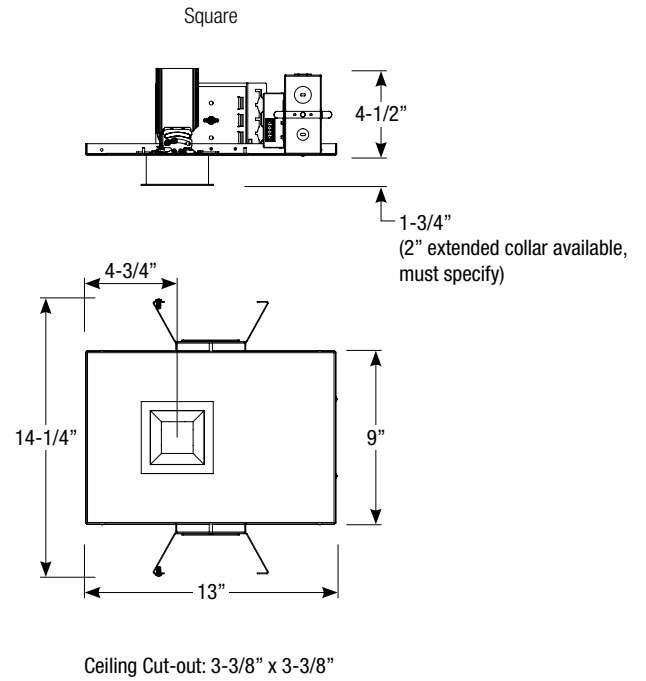
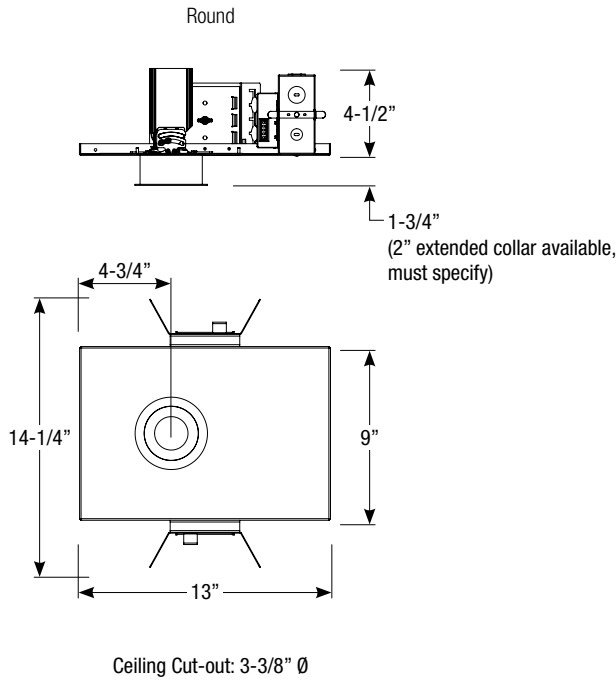
Type:

Project:

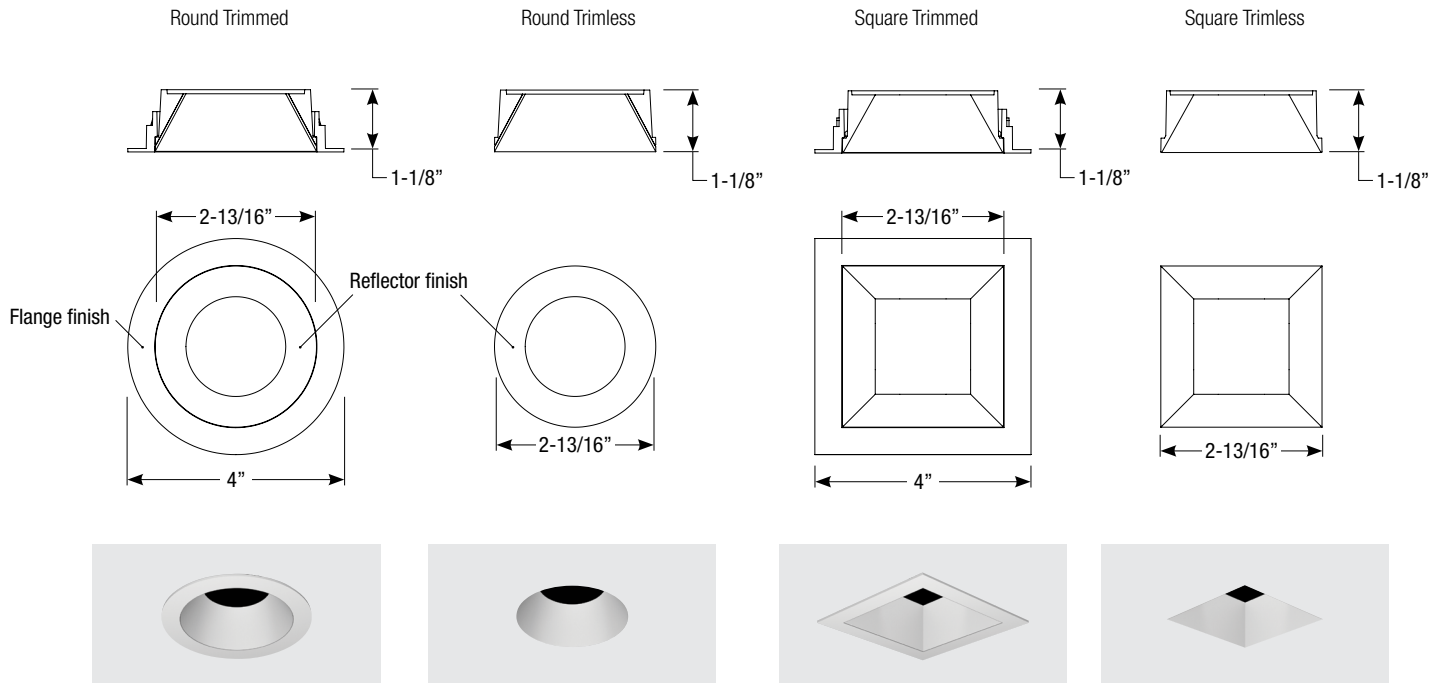
Date:

Notes:

Housing Dimensions



Trim Dimensions



Spec-00076 Revised 10/24/2022